

Kingsblue Asset Manager

INTRODUCTION



LOOKING FOR DOCUMENTATION AND SPARES DURING A BREAKDOWN – NOT STRESSFULL AT ALL

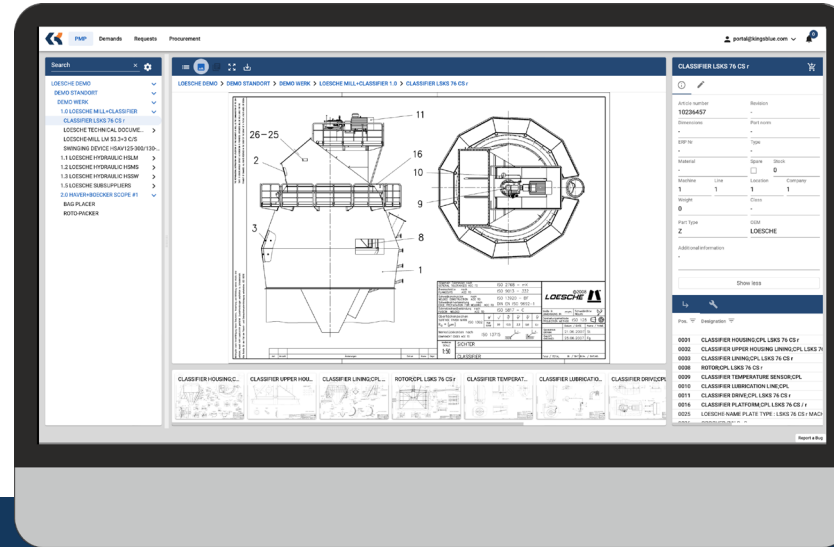
Here comes the solution...



Kingsblue – Asset Manager

Optimizing processes for production, service and maintenance

Clients have been profiting from **kingsblue's** combination of technical experience and unique data transformation services since 2014.



KINGSBLUE ASSET MANAGER is a plant management platform that allows you to navigate your machines' technical documentation in one intuitive and **OEM independent** interface.

ALL IN ONE

One platform solution unites the technical documentation of machines, production plants or entire factories with their respective spare part BOMs.



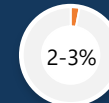
SAVE TIME

Navigate your documents through all plant levels with just a few clicks. Identify and request parts at lightning speed and reduce search time by up to 90 %.



INCREASE PLANT AVAILABILITY

Reduced search time during unplanned downtimes can grant you up to 200 hours of plant availability.



REDUCE INVENTORY

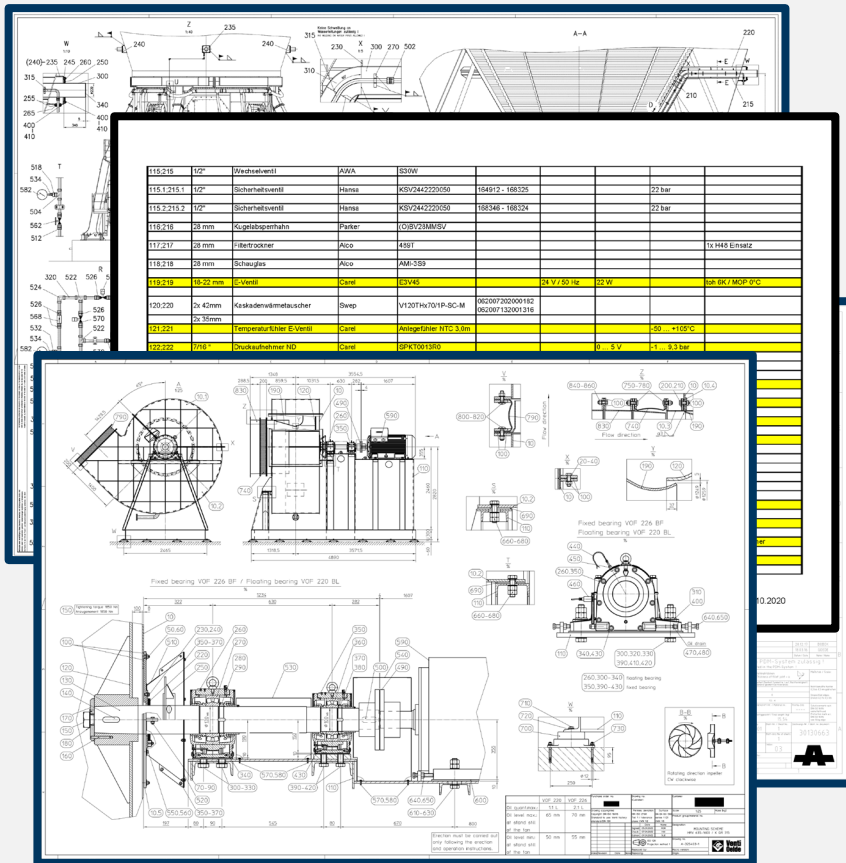
Up to 20 % spare parts inventory reduction thanks to SSR (Same Similar Reduction) algorithm. Save costs without additional risks!!



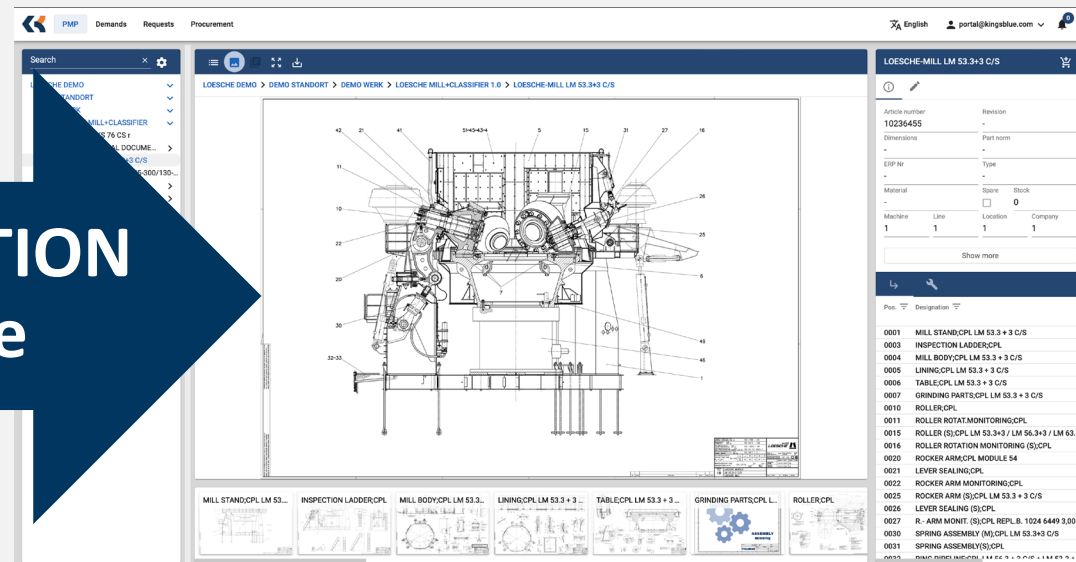
KINGSBLUE

Transformed data in kingsblue's Asset Manager

Imagine having all technical documentation accessible in one place – from everywhere!



**TRANSFORMATION
by kingsblue**



Your technical documentation in kingsblue's Asset Manager.

Your technical documentation now.

Kingsblue – Asset Manager

Platform introduction – Activate your account

- I. Please follow the link in your welcome e-mail within 30 days after receiving it.
- II. The link will take you to this page.

Führen Sie die folgende(n) Aktion(en) aus: **Passwort aktualisieren**

[Klicken Sie hier um fortzufahren](#)

Deutsch

Deutsch

Русский

Português (Brasil)

English

Français

Україна

Español

Türkçe

Kingsblue – Asset Manager

Platform introduction – Activate your account

III. Please set your language...

IV. ... and continue via the link.

Perform the following action(s): **Update Password**

[Click here to proceed](#)

Deutsch

Deutsch

Русский

Português (Brasil)

English

Français

Україна

Español

Türkçe

Kingsblue – Asset Manager

Platform introduction – Activate your account

V. Please read the terms of use...

VI. ... and accept them.

10.6 Upon termination of the contract, irrespective of the grounds, the Users right to use the functions affected by the termination shall end and kingsblue shall be entitled to block access to the Functions. In the event of termination of the Platform Usage Agreement, kingsblue shall be entitled to block access to the Platform. In addition, kingsblue shall be entitled to delete all User data related to the respective Functions and affected by the termination after 30 calendar days from the effective date of the termination, unless mandatory statutory provisions to the contrary apply.

17. EXPORT RESTRICTIONS; PROHIBITION OF RESALE; RIGHT OF WITHDRAWAL

17.1 Products or services displayed within the Platform by kingsblue and/or by third parties (cf. in particular Article 6) may be subject to export restrictions. Such restrictions arise in particular from the German Foreign Trade and Payments Act as well as legal ordinances issued pursuant to Section 12 thereof, Council Regulation (EC) No 428/2009 (Dual-Use Regulation) and its amendments and/or other laws and/or regulations - including Regulation (EC) No 881/2002 of 27 May 2002 (OJ EC No L 139 p. 9) and Regulation (EC) No 2580/2001 of 27 December 2001 (OJ EC No L 344 p. 70). In addition, export restrictions may result from the natural person or legal entity of the User, employees of the User and/or natural persons or legal entities in the Users business environment. This shall apply in particular if the User and/or any of the aforementioned persons are named in a list maintained on the basis of Regulation (EC) No 881/2002 of 27 May 2002 (OJ EC No L 139 p. 9) and/or Regulation (EC) No 2580/2001 of 27 December 2001 (OJ EC No L 344 p. 70). The grounds and provisions for export restriction set forth above are hereinafter jointly referred to as the „Export Restriction Provisions“ genannt.

17.2 The User shall be obligated to check the compatibility of any contract initiations and/or other declarations of intent aimed at concluding a contract - hereinafter referred to as “Order” - with the relevant Export Restriction Provisions as early as possible in the Users area of responsibility. The User shall notify the respective supplier and/or other third parties - depending on who is the addressee of the Order - of any concerns in writing without undue delay. The User shall further be obligated to provide the respective addressee of the Order (where applicable, outside the Platform) upon request without undue delay with all details and information which may be relevant for the examination of a possible violation of Export Restriction Provisions.

17.3 The User shall be liable to kingsblue for any and all damage and costs incurred by kingsblue as a result of the User ordering a product and/or entering into a contract for the delivery of a product and/or the provision of a service using the Platform and/or otherwise in connection with the Platform, the delivery/provision of which is prohibited or restricted by applicable Export Restriction Regulations at the time of the Order or, where the conclusion of the contract was not preceded by an Order, the conclusion of the contract. Where such provisions enter into force after the aforementioned date, the User shall only be liable if the export restriction was issued due to the natural person or legal entity of the User, employees of the User and/or natural persons or legal entities in the Users business environment.

18. FINAL PROVISIONS

18.1 The place of performance for data processing is the place of the data centre of kingsblue or its subcontractors, otherwise the place of business of kingsblue.

18.2 All legal relations between kingsblue and the User shall be governed exclusively by and construed in accordance with the laws of the Federal Republic of Germany, excluding the UN Convention on Contracts for the International Sale of Goods (CISG).

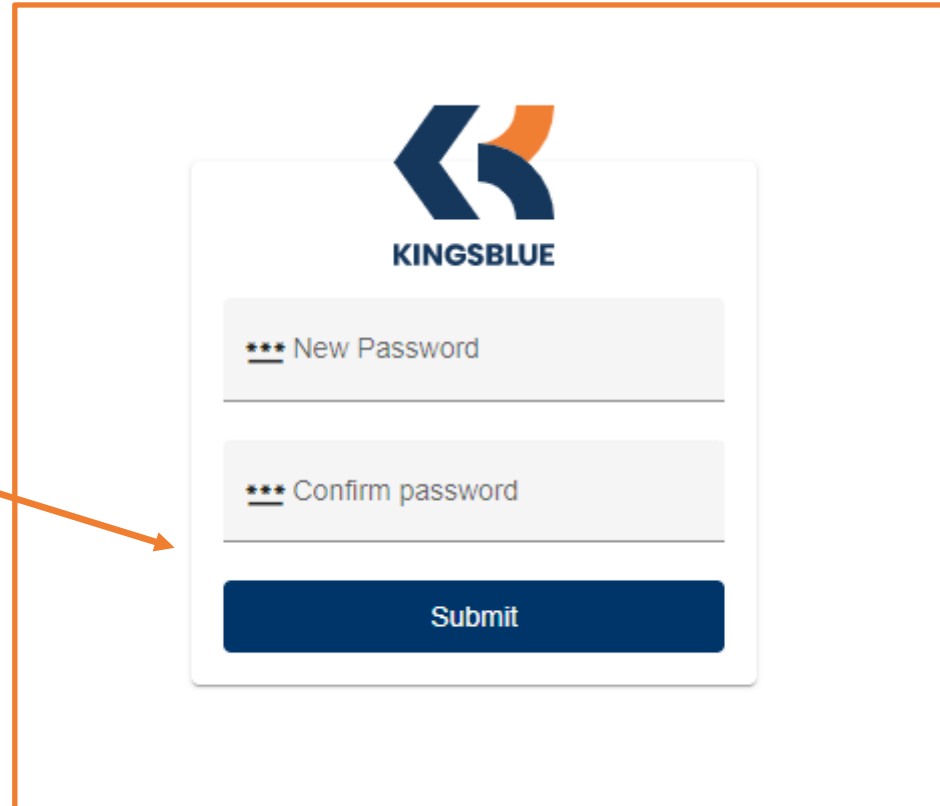
18.3 Place of jurisdiction is the court locally and factually responsible for the registered office of kingsblue. kingsblue shall, however, be entitled to file a complaint at the place of the registered office of the User.

©2014-2023 KINGSBLUE. All rights reserved

Kingsblue – Asset Manager

Platform introduction – Activate your account

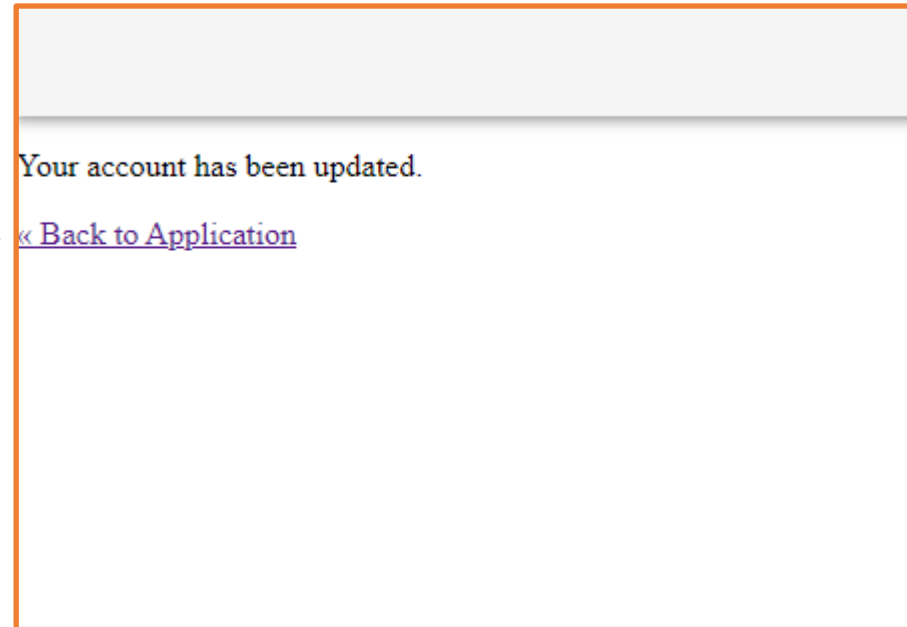
VII. You will then be asked to set a password. Please choose your own secure password, type it in and confirm.

A screenshot of the Kingsblue password setup form, enclosed in an orange border. The form features the Kingsblue logo at the top, followed by two input fields for "New Password" and "Confirm password", both with masked characters (***). A blue "Submit" button is located at the bottom of the form. An orange arrow points from the text in the blue box on the left to the "Confirm password" field.

Kingsblue – Asset Manager

Platform introduction – Activate your account

VIII. And done! If you click
“Back to Application”
you will be taken to the
Asset Manager.

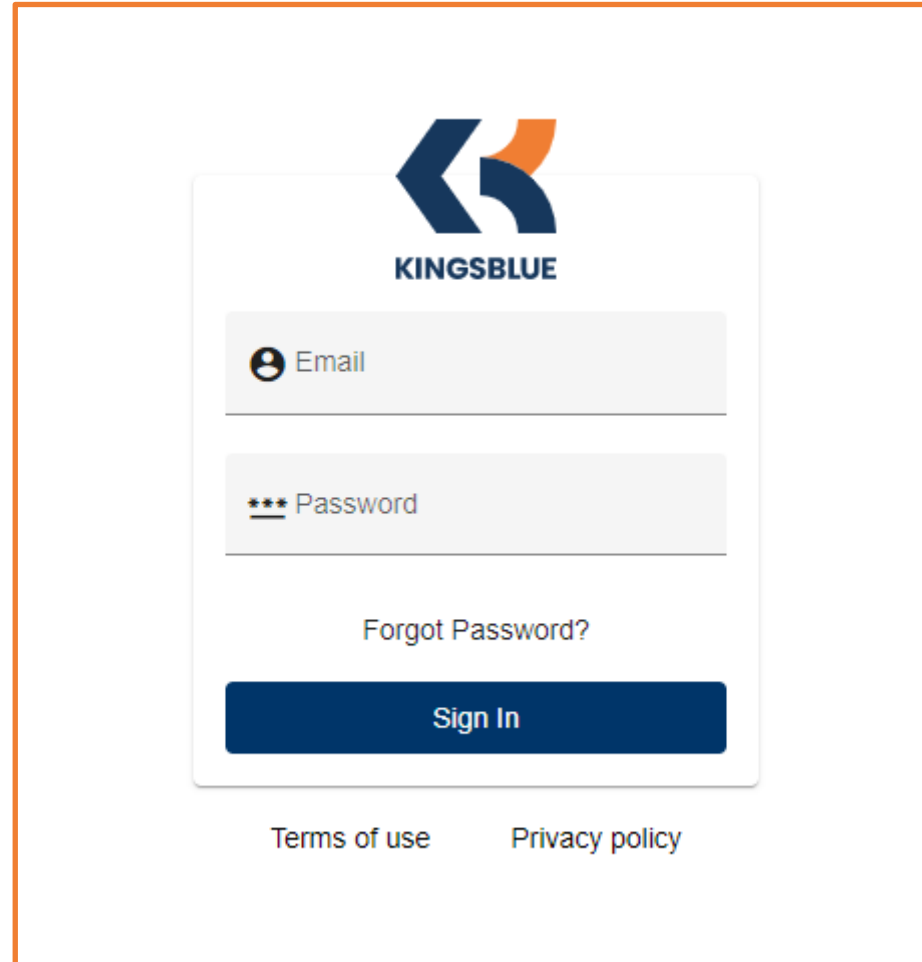


Kingsblue – Asset Manager

Platform introduction – Login

- IX. From now on, you can find the login page via pmp.kingsblue.com

- X. Or visit www.kingsblue.com and click "SIGN IN" in the top right corner.

A screenshot of the Kingsblue login page, enclosed in an orange border. At the top center is the Kingsblue logo, which consists of a stylized 'K' made of two overlapping shapes (one blue, one orange) above the word 'KINGSBLUE'. Below the logo are two input fields: the first is labeled 'Email' with a person icon, and the second is labeled 'Password' with three asterisks. Below these fields is a link that says 'Forgot Password?'. At the bottom of the form is a dark blue button with the text 'Sign In'. Below the button are two links: 'Terms of use' and 'Privacy policy'.

Kingsblue – Asset Manager

Platform introduction – User interface

1. Tree structure of all plant and machine levels
2. Main window for viewing drawings and BOMs
3. Details window for detailed data of selected item
4. BOM window with links to position numbers on drawing
5. Preview window of parts belonging to the same functional location

The screenshot displays the Kingsblue Asset Manager interface. At the top, there are navigation tabs for 'PMP', 'Demands', 'Requests', and 'Procurement', along with a user profile 'portal@kingsblue.com'. The main content area is divided into several sections:

- Left Panel (1):** A search bar and a tree structure of plant and machine levels. The tree includes 'LOESCHE DEMO', 'DEMO STANDORT', 'DEMO WERK', '1.0 LOESCHE MILL+CLASSIFIER', 'CLASSIFIER LSKS 76 CS r', 'LOESCHE TECHNICAL DOCUME...', '01 Mill', '02 Classifier', '03 Compressor Systems', 'Technical Documentation', 'LOESCHE-MILL LM 53.3+3 C/S', 'SWINGING DEVICE HSAV125-300/130...', '1.1 LOESCHE HYDRAULIC HSLM', '1.2 LOESCHE HYDRAULIC HSMS', '1.3 LOESCHE HYDRAULIC HSSW', '1.5 LOESCHE SUBSUPPLIERS', and '2.0 HAVER+BOECKER SCOPE #1'.
- Main Window (2):** A technical drawing of a mill classifier with various callouts (e.g., 42, 21, 41, 51-45-43-4, 5, 15, 31, 27, 16, 11, 10, 22, 20, 30, 32-33, 26, 25, 6, 49, 46, 1). A large orange '2' is overlaid on the drawing.
- Right Panel (3):** A details window for 'LOESCHE-MILL LM 53.3+3 C/S'. It shows fields for Article number (10236455), Dimensions, ERP Nr, Material, Machine (1), Line (1), Location (1), and Company (1). A 'Show more' button is at the bottom.
- Bottom Panel (4):** A BOM window showing a list of parts with their positions and designations. The list includes: 0001 MILL STAND;CPL LM 53.3 + 3 C/S, 0003 INSPECTION LADDER;CPL, 0004 MILL BODY;CPL LM 53.3 + 3 C/S, 0005 LINING;CPL LM 53.3 + 3 C/S, 0006 TABLE;CPL LM 53.3 + 3 C/S, 0007 GRINDING PARTS;CPL LM 53.3 + 3 C/S, 0010 ROLLER;CPL, 0011 ROLLER ROTAT.MONITORING;CPL, 0015 ROLLER (S);CPL LM 53.3+3 / LM 56.3+3 / LM 63.3, 0016 ROLLER ROTATION MONITORING (S);CPL, 0020 ROCKER ARM;CPL MODULE 54, 0021 LEVER SEALING;CPL, 0022 ROCKER ARM MONITORING;CPL, 0025 ROCKER ARM (S);CPL LM 53.3 + 3 C/S, 0026 LEVER SEALING (S);CPL, 0027 R.- ARM MONIT. (S);CPL REPL.B. 1024 6449 3,000.
- Bottom Panel (5):** A preview window showing thumbnails of parts belonging to the same functional location. A large orange '5' is overlaid on the first thumbnail.

Kingsblue – Asset Manager

Platform introduction – User interface

7

6. Navigation panel
7. User and notification menu
8. Search window
9. Scribble feature to annotate documents (advanced scope feature)

The screenshot displays the Kingsblue Asset Manager interface. At the top, a navigation bar includes 'PMP', 'Demands', 'Requests', and 'Procurement' (highlighted with a red box and the number 6). A search bar (highlighted with a red box and the number 8) is located below the navigation bar. The main content area shows a technical drawing of a mill classifier with various callouts. On the right side, a sidebar displays the article number '102364' (highlighted with a red box and the number 9) and a table of parts. A user profile dropdown menu (highlighted with a red box and the number 7) is visible in the top right corner, showing options like 'Profile', 'Frequently Asked Questions', 'Terms of use', and 'Logout'. The parts list on the right includes the following items:

Pos.	Designation
0001	MILL STAND;CPL LM 53.3 + 3 C/S
0003	INSPECTION LADDER;CPL
0004	MILL BODY;CPL LM 53.3 + 3 C/S
0005	LINING;CPL LM 53.3 + 3 C/S
0006	TABLE;CPL LM 53.3 + 3 C/S
0007	GRINDING PARTS;CPL LM 53.3 + 3 C/S
0010	ROLLER;CPL
0011	ROLLER ROTAT.MONITORING;CPL
0015	ROLLER (S);CPL LM 53.3+3 / LM 56.3+3 / LM 63.3
0016	ROLLER ROTATION MONITORING (S);CPL
0020	ROCKER ARM;CPL MODULE 54
0021	LEVER SEALING;CPL
0022	ROCKER ARM MONITORING;CPL
0025	ROCKER ARM (S);CPL LM 53.3 + 3 C/S
0026	LEVER SEALING (S);CPL
0027	R.- ARM MONIT. (S);CPL REPL.B. 1024 6449 3,000

Kingsblue – Asset Manager

Platform introduction – Speed Search function

10. Look for parts, OEMs, article numbers etc. and find them in seconds.

11. Find items across locations (advanced scope feature)

The screenshot displays the Kingsblue Asset Manager interface. On the left, a navigation menu lists various locations and equipment. The main search bar contains the term 'bearing' and shows 10 results. The search results table lists items with columns for Designation, Article number, OEM drw. no., ERP Nr., Revision, Type, Part norm, Dimensions, and Material. The first result is a 'deep groove ball bearing' with article number 1003034. On the right, a detailed view of this item is shown, including its article number (1003034), revision, dimensions, and material. A table below the details shows the item's location and company, with 'Location 12' and 'Company 12' highlighted. A 'Show more' button with the number '11' is also visible.

Designation	Article number	OEM drw. no.	ERP Nr.	Revision	Type	Part norm	Dimensions	Material
deep groove ball bearing	1003034	-	-	-	-	DIN 625	-	-
deep groove ball bearing	1003034	-	-	-	-	DIN 625	-	-
deep groove ball bearing	1003049	-	-	-	-	DIN 625	-	-
deep groove ball bearing	1003049	-	-	-	-	DIN 625	-	-
deep groove ball bearing	1003079	-	-	-	-	DIN 625	-	-
deep groove ball bearing	1003084	-	-	-	-	DIN 625	-	-
deep groove ball bearing	1003094	-	-	-	-	DIN 625	-	-
deep groove ball bearing	1003094	-	-	-	-	DIN 625	-	-
deep groove ball bearing	1003094	-	-	-	-	DIN 625	-	-
deep groove ball bearing	1003094	-	-	-	-	DIN 625	-	-
deep groove ball bearing	1003109	-	-	-	-	DIN 625	-	-
deep groove ball bearing	1003109	-	-	-	-	DIN 625	-	-
deep groove ball bearing	1003114	-	-	-	-	DIN 625	-	-
deep groove ball bearing	1003114	-	-	-	-	DIN 625	-	-
deep groove ball bearing	1003154	-	-	-	-	DIN 625	-	-
deep groove ball bearing	1003154	-	-	-	-	DIN 625	-	-
deep groove ball bearing	1003154	-	-	-	-	DIN 625	-	-
deep groove ball bearing	1003291	-	-	-	-	DIN 625	-	-
deep groove ball bearing	1003330	-	-	-	-	DIN 625	-	-
deep groove ball bearing	1003330	-	-	-	-	DIN 625	-	-

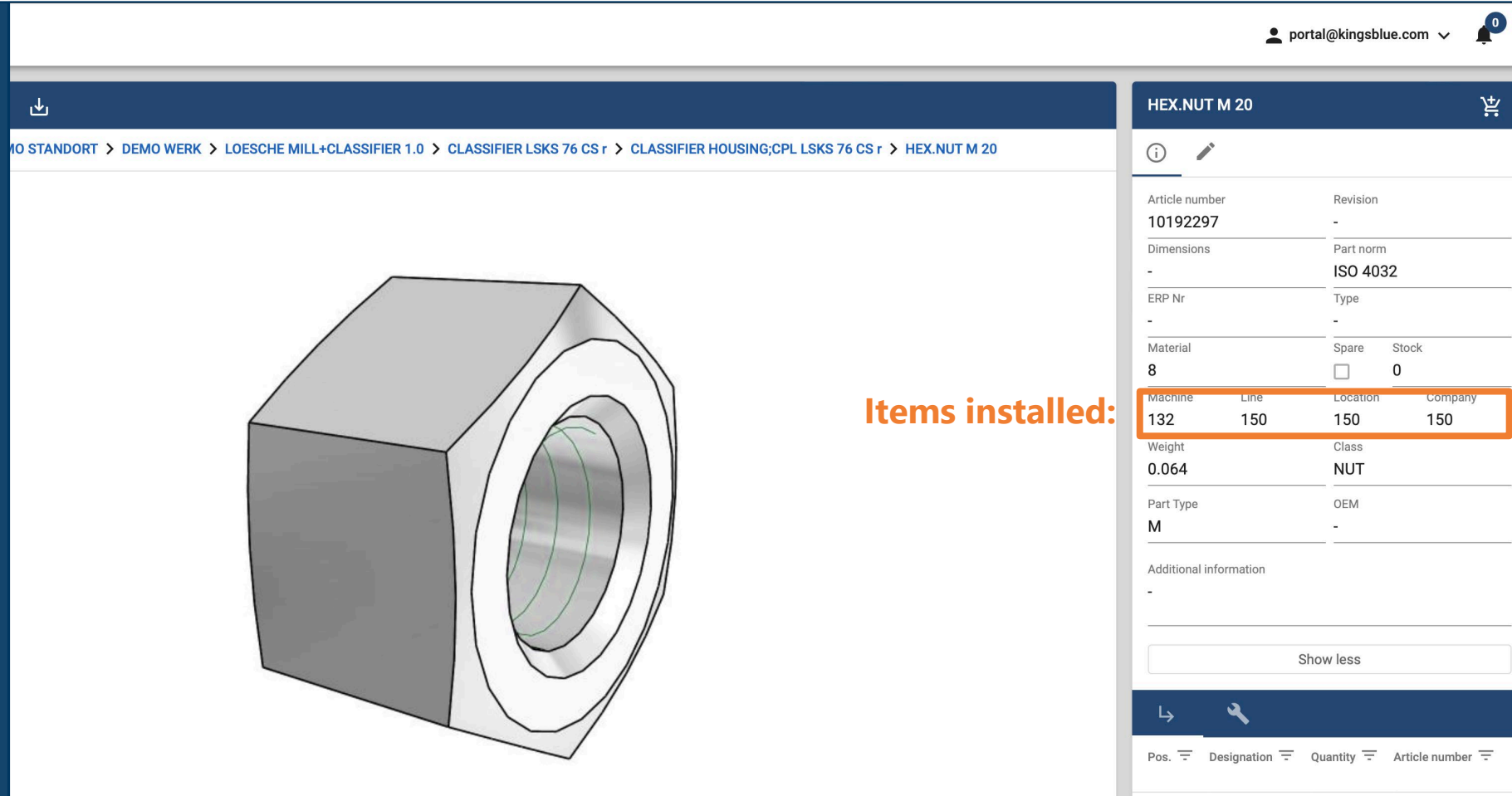
Machine	Line	Location	Company
12	12	12	12

Kingsblue – Asset Manager

Platform Introduction – Functions

12. Article number provides information about 4 levels:

- Machine
- Production line
- Plant location
- Company



The screenshot displays the Kingsblue Asset Manager interface. On the left, a 3D model of a hex nut is shown. The right side features a detailed data panel for the article number 10192297. The panel includes a breadcrumb trail: NO STANDORT > DEMO WERK > LOESCHE MILL+CLASSIFIER 1.0 > CLASSIFIER LSXS 76 CS r > CLASSIFIER HOUSING;CPL LSXS 76 CS r > HEX.NUT M 20. The data panel lists various attributes such as Article number (10192297), Revision (-), Dimensions (-), Part norm (ISO 4032), ERP Nr (-), Type (-), Material (8), Spare (checkbox), Stock (0), Weight (0.064), Class (NUT), Part Type (M), and OEM (-). A table titled 'Items installed:' is highlighted with an orange border, showing the following data:

Machine	Line	Location	Company
132	150	150	150

Additional information is listed as '-'. A 'Show less' button is visible at the bottom of the data panel. The interface also shows a user profile for 'portal@kingsblue.com' and a notification icon with '0' in the top right corner.

Kingsblue Asset Manager

Platform Introduction – Smart Link and ERP integration

- SmartLink connects drawing, BOM and preview.
- Part-ID is provided by customer's ERP system (advanced scope feature)
- Items in stock are shown across locations (if applicable) (advanced scope feature)

The screenshot displays the Kingsblue Asset Manager interface for a technical drawing of a mill classifier. The interface includes a search sidebar on the left, a main drawing area with callouts, and a BOM table on the right. Callout 26 points to a lever sealing part in the drawing and its corresponding entry in the BOM table.

Search Sidebar:

- LOESCHE DEMO
- DEMO STANDORT
- DEMO WERK
- 1.0 LOESCHE MILL+CLASSIFIER
- CLASSIFIER LSKS 76 CS r
- LOESCHE TECHNICAL DOCUME...
- LOESCHE-MILL LM 53.3+3 C/S
- SWINGING DEVICE HSAV125-300/130...
- 1.1 LOESCHE HYDRAULIC HSLM
- 1.2 LOESCHE HYDRAULIC HSMS
- 1.3 LOESCHE HYDRAULIC HSSW
- 1.5 LOESCHE SUBSUPPLIERS
- 2.0 HAVER+BOECKER SCOPE #1

BOM Table:

Pos.	Designation
0010	ROLLER;CPL
0011	ROLLER ROTAT.MONITORING;CPL
0015	ROLLER (S);CPL LM 53.3+3 / LM 56.3+3 / LM 63.3
0016	ROLLER ROTATION MONITORING (S);CPL
0020	ROCKER ARM;CPL MODULE 54
0021	LEVER SEALING;CPL
0022	ROCKER ARM MONITORING;CPL
0025	ROCKER ARM (S);CPL LM 53.3+3 C/S
0026	LEVER SEALING (S);CPL
0027	R.- ARM MONIT. (S);CPL REPL.B. 1024 6449 3,000
0030	SPRING ASSEMBLY (M);CPL LM 53.3+3 C/S
0031	SPRING ASSEMBLY(S);CPL
0032	RING PIPELINE;CPL LM 56.3 + 3 C/S + LM 53.3 + 3
0033	CONNECTING PIPELINE;CPL
0040	LM-LUBRICATION LINE;CPL 3 ROLLERS
0041	SEAL AIR PIPING;CPL LM 53.3 + 3 C/S

Kingsblue Asset Manager

Platform Introduction – Features

You can navigate or download drawings,...

The screenshot displays the Kingsblue Asset Manager interface. At the top, navigation tabs include 'PMP', 'Demands', 'Requests', and 'Procurement'. An orange arrow points to the 'Procurement' tab. The main content area shows a technical drawing of a classifier housing with callouts 1 through 26. Below the drawing is a detailed specification table.

Algemeen toleranties voor	ISO 2768 - mK
GENERAL TOLERANCES ACC TO	
Flansuits	ISO 9013 - 332
FLANGE OUTS	
Schroefdraaiing	ISO 13920 - BF
SCREW CONSTRUCTION	
Welding construction	DIN EN ISO 9692-1
WELDING PREPARATION FOR WELDING	
Control drawings	ISO 5817 - C
CONTROL DRAWINGS	
Overlappingschetsen	
OVERLAPPING DRAWINGS	
Surface finish	ISO 1302
SURFACE FINISH	
Material	21.06.2007 St
MATERIAL	
Component	ISO 13715
COMPONENT	
Scale	1:50
SCALE	
Projection	ISO 128
PROJECTION METHOD	
Issue	25.06.2007 Eg
ISSUE	

Below the drawing, a row of thumbnails shows other related drawings: CLASSIFIER HOUSING;C..., CLASSIFIER UPPER HOU..., CLASSIFIER LINING;CPL..., ROTOR;CPL LSKS 76 CS r, CLASSIFIER TEMPERAT..., CLASSIFIER LUBRICATIO..., and CLASSIFIER DRIVE;CPL...

Kingsblue Asset Manager

Platform Introduction – Features

... bills of material,...

The screenshot displays the Kingsblue Asset Manager interface. At the top, there are navigation tabs: PMP, Demands, Requests, and Procurement. Two orange arrows point to the 'Demands' and 'Requests' tabs. The main content area shows a BOM for 'CLASSIFIER LSKS 76 CS r'. The table lists various parts with their positions, designations, article numbers, OEM drawing numbers, ERP numbers, revisions, and types. Below the table, there are thumbnails for technical drawings of the parts. On the right side, there is a detailed view for the selected part, showing its article number (10236457), dimensions, ERP number, material, machine, line, location, company, weight, class, part type, and OEM (LOESCHE). The bottom right corner has a 'Report a Bug' link.

Pos.	Designation	Article number	OEM drw. no.	ERP Nr	Revision	Type
	CLASSIFIER LSKS 76 CS r	10236457	037504-00-3	-	-	-
0001	CLASSIFIER HOUSING;CPL LSKS 76 CS r	10237489	068292-00-0	-	-	-
0001.0001	GUIDE VANE;CPL	10235024	068293-00-0	-	-	-
0001.0001.0001	GUIDE VANE CARRIER	10235021	068294-00-0	-	-	-
0001.0001.0003	TEMPLATE	10235022	068297-00-2	-	-	-
0001.0001.0007	GUIDE VANE	10235023	068295-00-4	-	-	-
0001.0001.0010	HEX.SCREW M16x 40	10192217	-	-	-	-
0001.0001.0012	HEX.NUT M 16	10192295	-	-	-	-
0001.0002	CLASSIFIER UPPER HOUSING	10214726	040341-00-0	-	-	-
0001.0003	CLASSIFIER LOWER HOUSING	10235029	068302-00-0	-	-	-
0001.0004	FRAME	10235035	068298-00-0	-	-	-
0001.0005	GRIT FUNNEL	10235028	068303-00-1	-	-	-
0001.0007	RING,10-PARTS	10235034	068299-00-1	-	-	-
0001.0008	RING,10-PARTS	10235036	068301-00-2	-	-	-
0001.0009	DEFLECT.RING, 10-PARTS	10235037	068300-00-2	-	-	-
0001.0011	ANGLE	10228813	-	-	-	-
0001.0013	CHUTE	10235033	068308-00-0	-	-	-
0001.0015	COVER	10181883	041020-00-3	-	-	-
0001.0016	COVER	10214113	049253-00-2	-	-	-
0001.0017	COVER	10235031	068304-00-2	-	-	-
0001.0019	PLATE	10235027	068305-00-4	-	-	-

Kingsblue Asset Manager

Platform Introduction – Features

...select even the smallest spare parts...

The screenshot displays the Kingsblue Asset Manager interface. On the left, a search sidebar lists various assets, with 'HEX.NUT M 20' selected. The main area shows a 3D model of a hex nut. The right sidebar provides detailed technical information for the selected part.

Navigation: PMP Demands Requests Procurement

Search Results:

- LOESCHE DEMO
- DEMO STANDORT
- DEMO WERK
- 1.0 LOESCHE MILL+CLASSIFIER
- CLASSIFIER LSKS 76 CS r
- LOESCHE TECHNICAL DOCUME...
- LOESCHE-MILL LM 53.3+3 C/S
- SWINGING DEVICE HSAV125-300/130...
- 1.1 LOESCHE HYDRAULIC HSLM
- 1.2 LOESCHE HYDRAULIC HSMS
- 1.3 LOESCHE HYDRAULIC HSSW
- 1.5 LOESCHE SUBSUPPLIERS
- 2.0 HAVER+BOECKER SCOPE #1
- BAG PLACER
- ROTO-PACKER

Navigation Path: LOESCHE DEMO > DEMO STANDORT > DEMO WERK > LOESCHE MILL+CLASSIFIER 1.0 > CLASSIFIER LSKS 76 CS r > CLASSIFIER HOUSING;CPL LSKS 76 CS r > HEX.NUT M 20

Technical Details for HEX.NUT M 20:

Article number	Revision		
10192297	-		
Dimensions	Part norm		
-	ISO 4032		
ERP Nr	Type		
-	-		
Material	Spare	Stock	
8	<input type="checkbox"/>	0	
Machine	Line	Location	Company
132	150	150	150
Weight	Class		
0.064	NUT		
Part Type	OEM		
M	-		

Additional information: -

Show less

Pos. Designation Quantity Article number

No further parts

Report a Bug

Kingsblue Asset Manager

Platform Introduction – Procurement process

...and add them to your demand list.

The screenshot displays the Kingsblue Asset Manager interface. The top navigation bar includes 'PMP', 'Demands', 'Requests', and 'Procurement'. The user is logged in as 'portal@kingsblue.com'. The main content area shows a breadcrumb trail: 'LOESCHE DEMO > DEMO STANDORT > DEMO WERK > LOESCHE MILL+CLASSIFIER 1.0 > CLASSIFIER LSXS 76 CS r > CLASSIFIER HOUSING;CPL LSXS 76 CS r > HEX.NUT M 20'. A central modal window titled 'Add to demand list' is open, with the following fields:

- Designation: HEX.NUT M 20
- Amount *: 1
- Required until
- Note: (empty text area)

Buttons for 'Cancel' and 'Add' are at the bottom of the modal. An orange arrow points from the 'Add to demand list' button in the top right corner of the main interface to the modal window.

On the right side, a detailed view for 'HEX.NUT M 20' is visible, showing the following data:

Article number	10192297	Revision	-				
Dimensions	-	Part norm	ISO 4032				
ERP Nr	-	Type	-				
Material	8	Spare	<input type="checkbox"/>	Stock	0		
Machine	132	Line	150	Location	150	Company	150
Weight	0.064	Class	NUT				
Part Type	M	OEM	-				

Additional information is shown as a text area below the table. A 'Show less' button is located below the table. At the bottom of the main interface, it says 'No further parts'.

Kingsblue Asset Manager

Platform Introductio – Procurement process

Adjust the demand list and make a request to the buyer.

Quantity	Article number	Designation	Material	Material norm	Type	Dimensions	Weight	Note	Required until	Location	Factory
<input type="checkbox"/>	1	10228912	LINING PLATE				42.5			DEMO STANDORT	DEMO WERK
<input type="checkbox"/>	1	10194838	HEX.SCREW M36x100	8,8			1.15			DEMO STANDORT	DEMO WERK
<input checked="" type="checkbox"/>	1	10192297	HEX.NUT M 20	8			0.064			DEMO STANDORT	DEMO WERK

Kingsblue Asset Manager

Platform Introduction – Procurement process

Review placed requests anytime.

The screenshot shows the 'Requests' section of the Kingsblue Asset Manager. The breadcrumb navigation at the top includes 'PMP', 'Demands', 'Requests' (highlighted with an orange box), and 'Procurement'. The user profile 'portal@kingsblue.com' is visible in the top right corner. The table below lists a single request with the following details:

Quantity	Article number	Designation	Material	Material norm	Type	Dimensions	Weight	Note	Required until	Location	Factory	Line
1	10192297	HEX.NUT M 20	8				0.064			DEMO STANDORT	DEMO WERK	1.0 LOESCH

Kingsblue Asset Manager

Platform Introduction – Procurement process

As buyer, you can access the procurement list and edit, reject or approve requests by sending an inquiry to the OEM.

The OEM will email the offer.

LOESCHE clients receive a 5% discount on parts procured via the Asset Manager.

The screenshot shows the 'Procurement' section of the Kingsblue Asset Manager. The top navigation bar includes 'PMP', 'Demands', 'Requests', and 'Procurement'. The 'Procurement' tab is active. Below the navigation bar, there is a table with the following columns: 'Email', 'Quantity', 'Article number', 'Description', 'Material', 'Material norm', 'Type', 'Dimensions', 'Weight', and 'Note'. The first row of the table is highlighted with a blue selection bar. The 'Email' column of the first row contains the text 'portal@kingsblue.com'. The 'Quantity' column contains '1', 'Article number' contains '10192297', 'Description' contains 'HEX.NUT M 20', 'Material' contains '8', and 'Weight' contains '0.064'. In the top right corner of the table, there are several action buttons: 'Edit', 'Reject', 'Take from stock (in use)', and 'Send request'. An orange box highlights the 'Send request' button, and an orange arrow points from this button to the 'Email' column of the first row. Another orange box highlights the 'Email' column of the first row. The user's email 'portal@kingsblue.com' is visible in the top right corner of the page.

Email	Quantity	Article number	Description	Material	Material norm	Type	Dimensions	Weight	Note
portal@kingsblue.com	1	10192297	HEX.NUT M 20	8				0.064	

Kingsblue Asset Manager

Platform Introduction – Profile

Access to user profile

The screenshot shows the user profile page in the Kingsblue Asset Manager. The top navigation bar includes the Kingsblue logo, 'PMP', 'Demands', 'Requests', and 'Procurement'. The user's email 'portal@kingsblue.com' is displayed in the top right corner. A dark blue sidebar on the left contains navigation options: 'Profile' (selected), 'Permissions', 'Settings', and 'Notifications'. The main content area is divided into two sections: 'Profile details' and 'Profile image'. The 'Profile details' section contains several input fields: 'Login Name' (portal@kingsblue.com), 'Organisation' (Kingsblue), 'First Name' (John), 'Last Name' (Doe), 'Job Title', and 'Phone Number'. Below these fields is a 'Save' button. The 'Profile image' section shows a placeholder for a profile picture and a button labeled 'Choose a picture (*.png)'. A 'Report a Bug' link is visible in the bottom right corner of the page.

Kingsblue Asset Manager

Platform Introduction – Language Settings

Choose from a growing list of languages.

The screenshot displays the 'Settings' page in the Kingsblue Asset Manager. The page has a dark blue sidebar on the left with navigation options: Profile, Permissions, Settings (highlighted), and Notifications. The main content area is titled 'Settings' and contains two dropdown menus: 'Content *' and 'Userinterface *', both currently set to 'English'. Below these is a 'Save' button. An orange box highlights the 'Content *' dropdown, and an orange arrow points to a larger, expanded view of the dropdown menu. This expanded view shows a list of language options: English (highlighted), 中文 (Chinese), Deutsch (German), Русский (Russian), and Türkçe (Turkish). The top navigation bar includes the Kingsblue logo, 'PMP Demands Requests Procurement', a user profile 'portal@kingsblue.com', and a notification icon.

Kingsblue Asset Manager

Platform Introduction – Notifications

Stay up to date with notifications.

The screenshot shows the Kingsblue Asset Manager interface. At the top, there is a navigation bar with the Kingsblue logo and menu items: PMP, Demands, Requests, and Procurement. On the right side of the navigation bar, there is a user profile icon labeled 'portal@kingsblue.com' and a notification bell icon with a '1' badge. A dark blue sidebar on the left contains a menu with the following items: Profile, Permissions, Settings, and Notifications (which is highlighted). The main content area displays a notification card for 'Maintenance work | W ...'. The card has a blue information icon and a yellow warning icon. The notification details are as follows:

- Title:** Maintenance work | Wartungsarbeiten | travaux de maintenance
- Created at:** 22.07.2022 03:35:45
- Content:**

Dear Sir or Madam,

The maintenance work on our servers has been completed. We thank you for your patience.

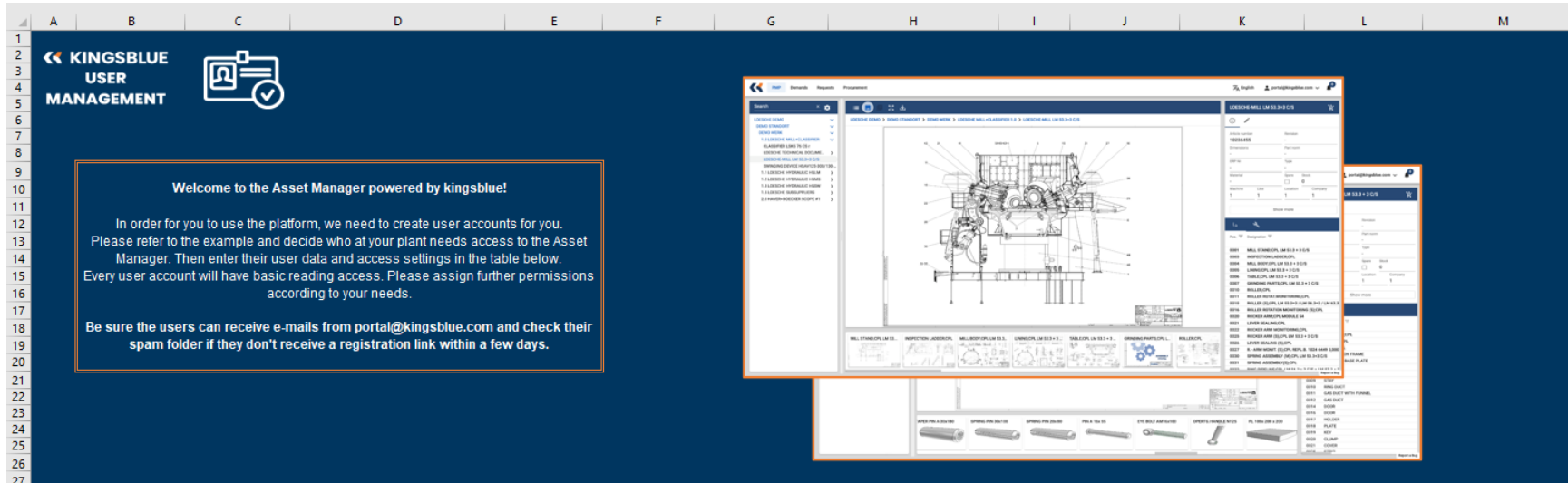
Madame, Monsieur,

Les travaux de maintenance sur nos serveurs sont terminés . Nous vous remercions de votre patience .

At the bottom right corner of the interface, there is a small link that says 'Report a Bug'.

User Management

Spreadsheet to assign user's permissions



Welcome to the Asset Manager powered by kingsblue!

In order for you to use the platform, we need to create user accounts for you. Please refer to the example and decide who at your plant needs access to the Asset Manager. Then enter their user data and access settings in the table below. Every user account will have basic reading access. Please assign further permissions according to your needs.

Be sure the users can receive e-mails from portal@kingsblue.com and check their spam folder if they don't receive a registration link within a few days.

Company - PLANT

	Given Name	Last Name	E-mail Address	Download	Maintenance Access	Procurement Access	Position
1			@				
2			@				
3			@				
4			@				
5			@				

EXAMPLE

	Given Name	Last Name	Email Address	Download	Maintenance Access	Procurement Access	Position
1	John	Doe	john.doe@example.com	x	x		Maintenance Manager
2	Jane	Doe	doe.jane@example.com		x	x	Procurement Manager
3	Big	Boss	big.boss@example.com	x	x	x	General Manager
4							
5							

Download	Maintenance Access	Procurement Access
User can download documents from the platform.	User can add parts to the demand list and request authorization from a procurement officer.	User can authorize or reject requests for parts submitted via the demands list and submit an inquiry via email to the OEM.

Download Permission:

User can download documents from the platform.

Maintenance Access:

User can add parts to the demand list and request authorization from a procurement officer.

Procurement Access:

User can authorize or reject requests for parts submitted via the demands list and submit an inquiry via email to the OEM.